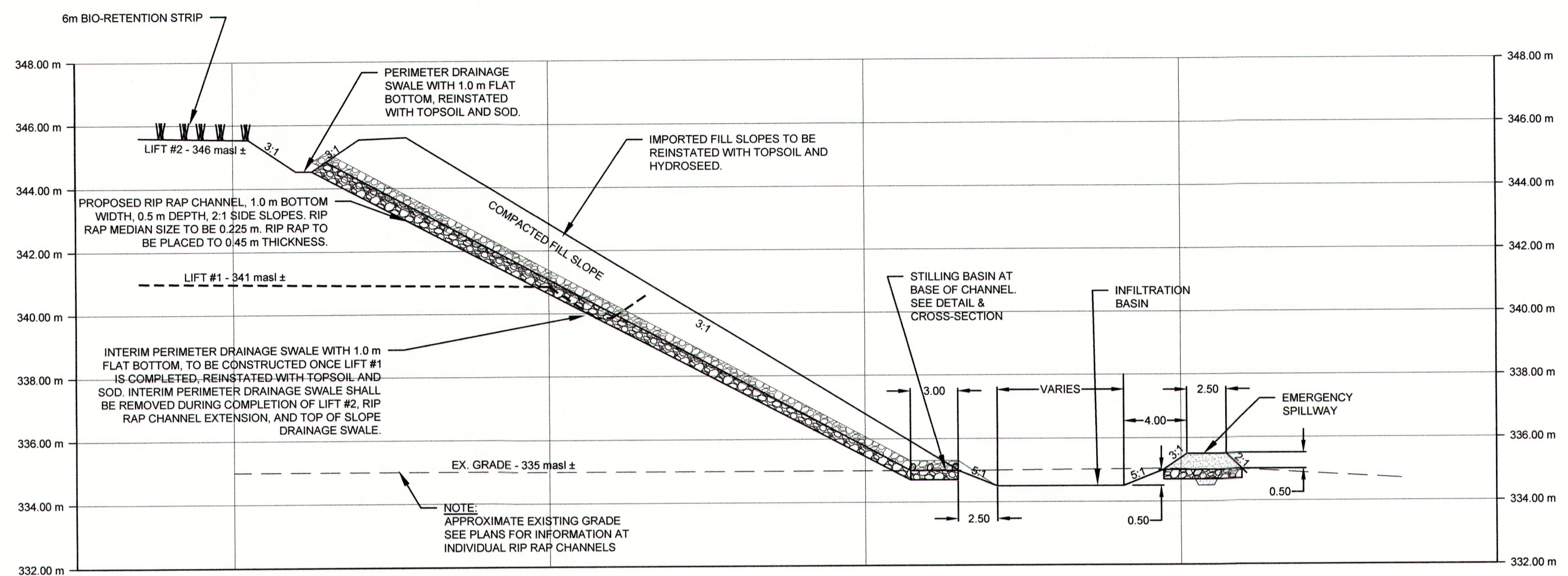
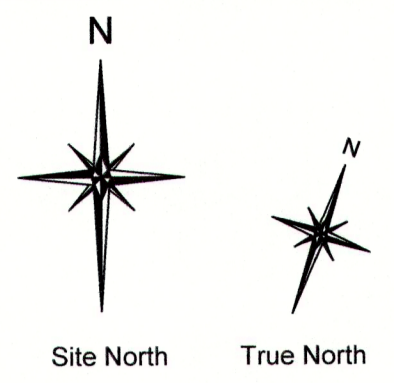
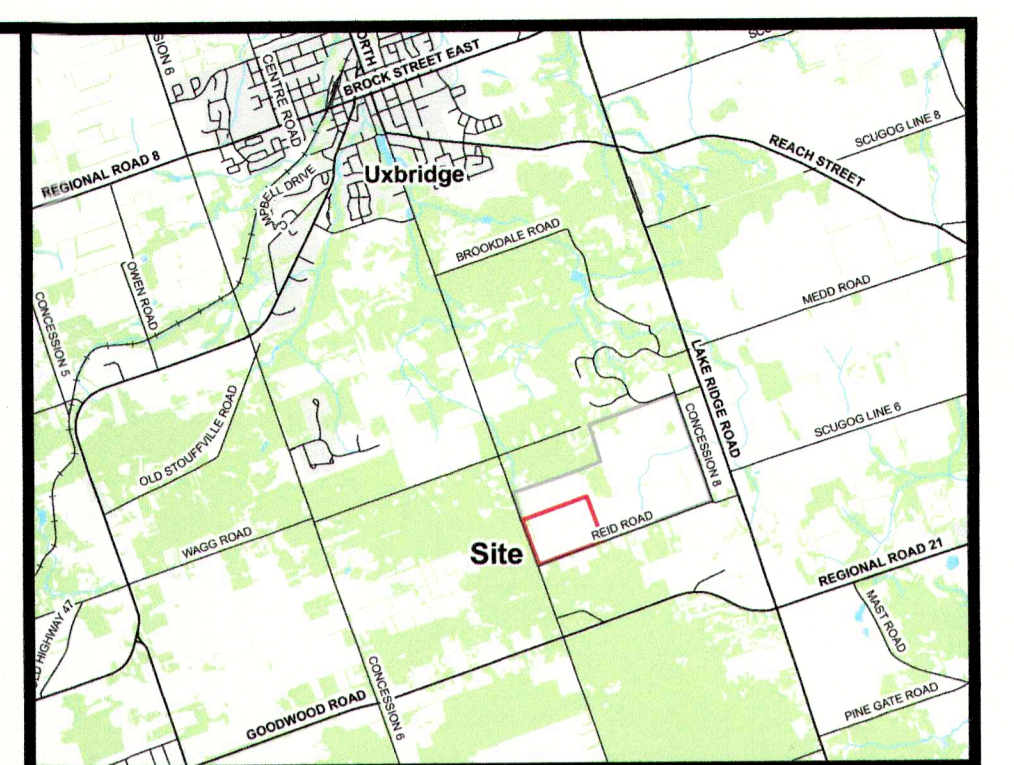


LOT 18, CONCESSION 7
GEOGRAPHIC TOWNSHIP OF UXBRIDGE
REGIONAL MUNICIPALITY OF DURHAM



**DRAINAGE AREA #7 - 10
TYPICAL RIP RAP CHANNEL
CROSS-SECTION**
SCALE 1:250 HORIZONTAL
1:125 VERTICAL



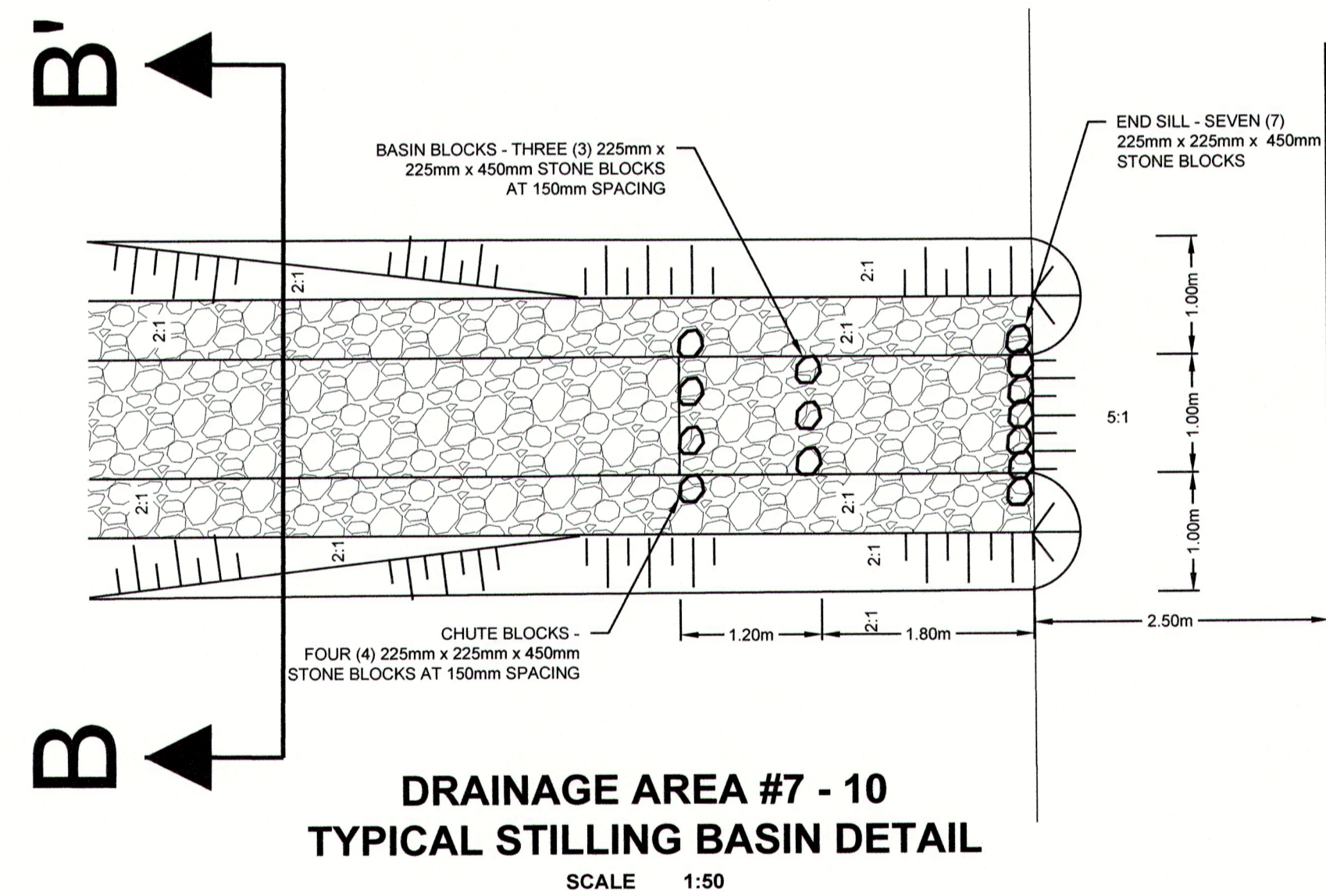
KEY MAP
N.T.S.

LEGEND

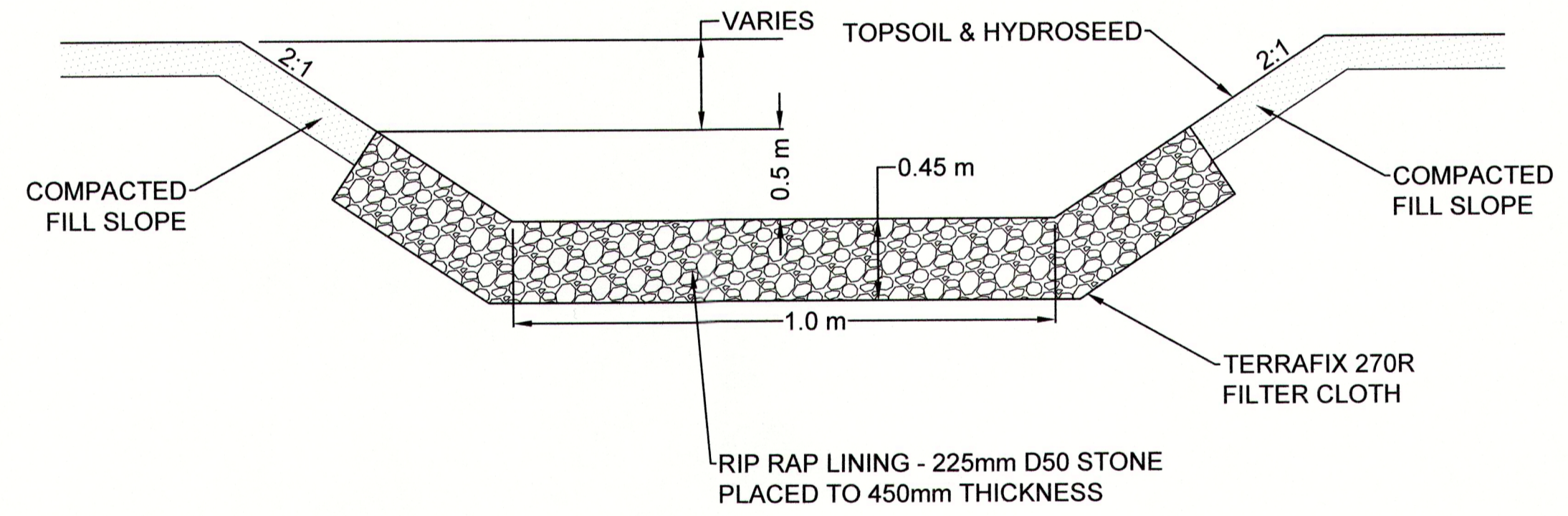
- Property Boundary
- Internal Road
- Wooded Areas
- Overhead Hydro Lines
- Underground Gas Line
- Underground Ball Line
- Existing Post & Wire Fence
- Existing Building / Concrete Pad / Equipment Storage / Processing Area
- Contours (5.0 m)
- Contours (1.0 m)
- Site Entrance / Exit
- Natural Drainage
- Proposed Fill Slope Grade
- Bank Slope
- Rip Rap Channel
- Bioretention Strip

SCHEDULE OF REVISIONS

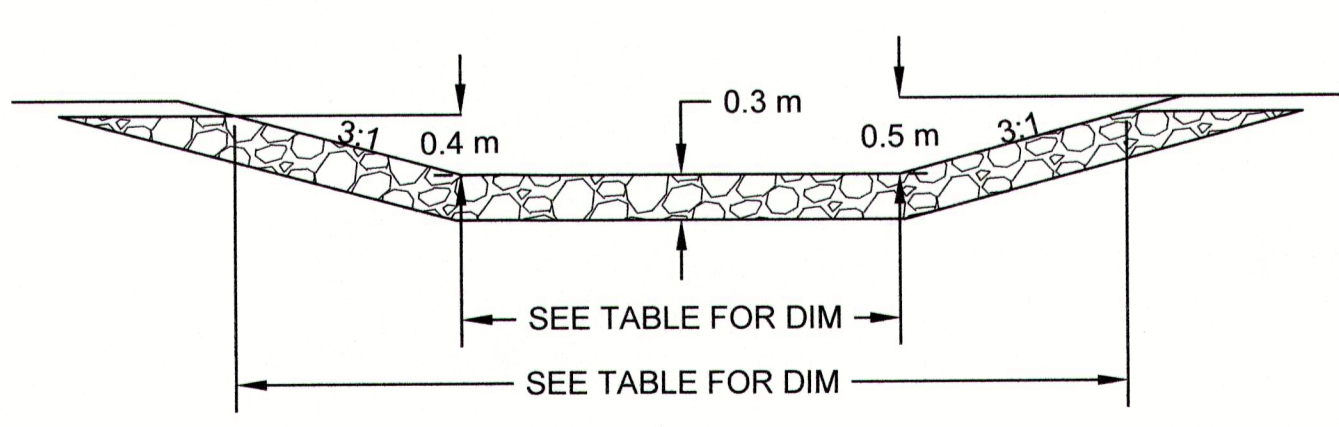
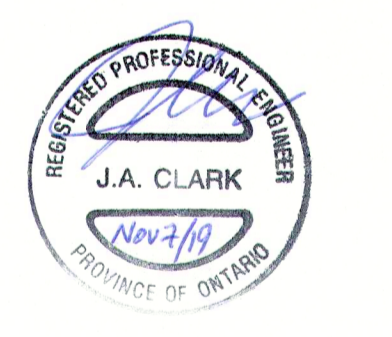
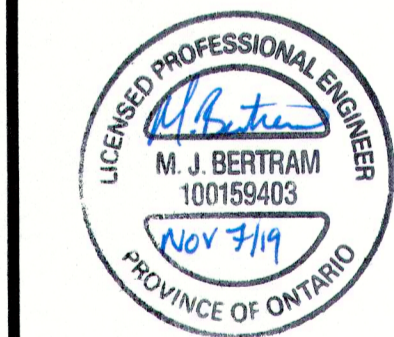
NO.	DATE	DESCRIPTION	CHECKED
1	November 2019	Address Peer Review comments	JAC



**DRAINAGE AREA #7 - 10
TYPICAL STILLING BASIN DETAIL**
SCALE 1:50

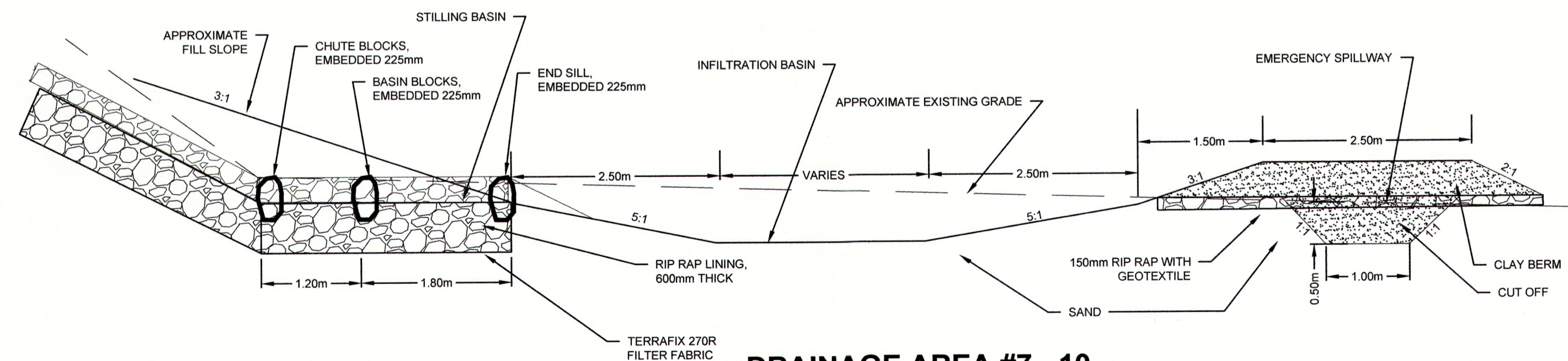


**DRAINAGE AREA #7 - 10
TYPICAL RIP RAP CHANNEL
CROSS-SECTION B-B'
N.T.S.**



EMERGENCY SPILLWAY DETAIL
SCALE 1:50

STILLING BASIN #	EMERGENCY SPILLWAY DIMENSIONS				RIP RAP LINING	
	BOTTOM (W)	SIDE SLOPES	TOP (W)	TOP (H)	D50 (mm)	THICKNESS (mm)
7	2.2	3:1	5.2	0.5	150	300
8	3.9	3:1	6.9	0.5	150	300
9	3.9	3:1	6.9	0.5	150	300
10	1.9	3:1	4.9	0.5	150	300



**DRAINAGE AREA #7 - 10
TYPICAL STILLING BASIN
CROSS-SECTION**
SCALE 1:50

MILLER PAVING LIMITED
BOYINGTON PIT #3
FILL IMPORTATION UNDER SITE PLAN CONTROL
4419 CONCESSION ROAD 7
TOWNSHIP OF UXBRIDGE
CHANNEL AND BASIN CROSS-SECTIONS
DRAINAGE AREAS 7-10

PROJECT NO. 10 - 2412 DRWG NO. 2412 - 6 of 11
DATE: MARCH 2019 SCALE: AS NOTED
DRAWN: MJB/KAH CHECKED: JAC APPROVED: JAC



ENGINEERING PLANNING ENVIRONMENTAL CONSULTANTS
93 Bell Farm Road, Suite 107 Telephone (705) 726-1141
Barrie, Ontario L4M 5G1 Fax (705) 726-0331
www.skeltonbrumwell.ca Toll Free (877) 726-1141

2412 - 6 of 11

Copyright © 2016 Skelton Brumwell & Associates Inc. All rights reserved. This document is protected by copyright laws and may not be reproduced in any form or for any purpose, except with the written permission of the copyright holder.