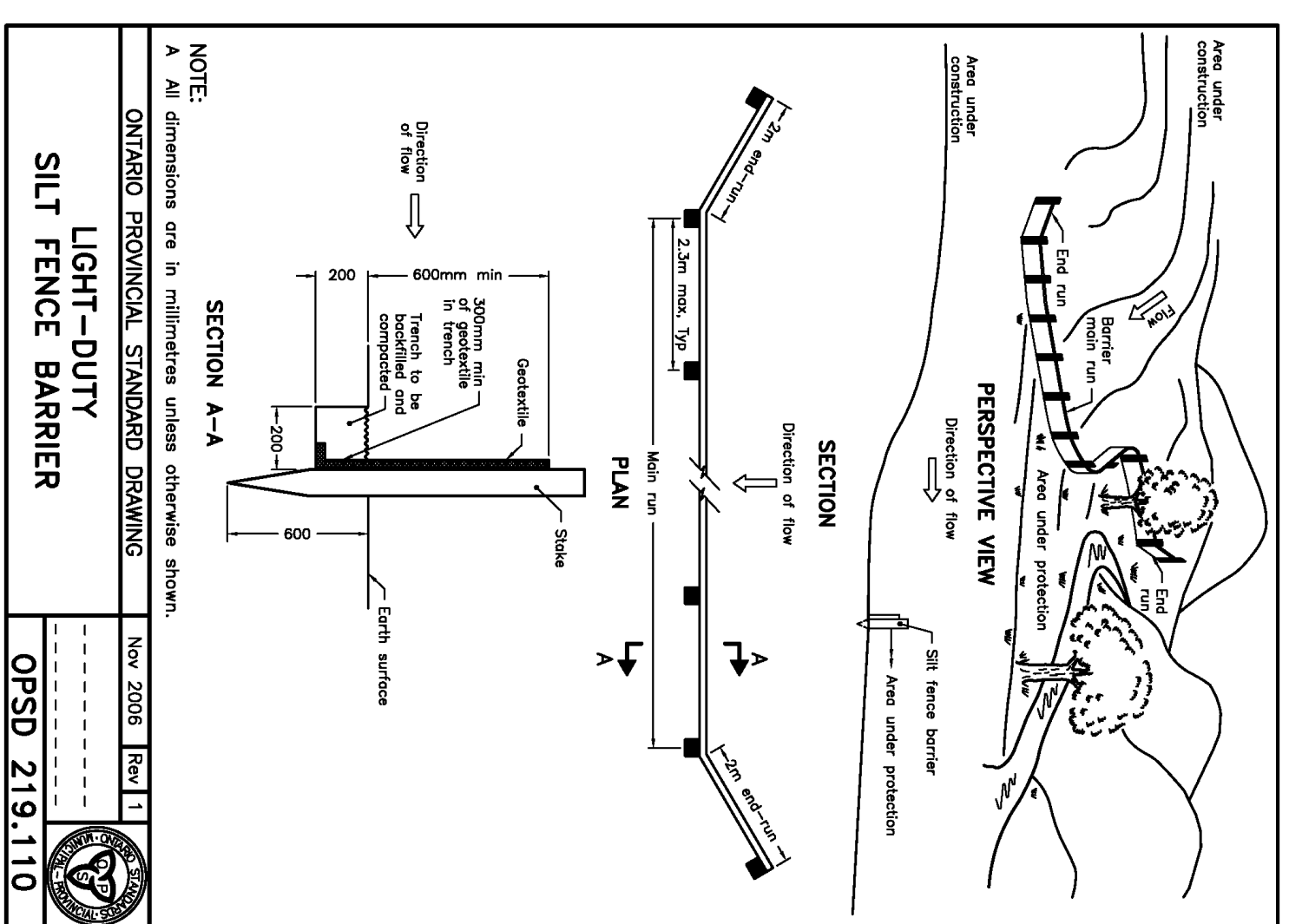
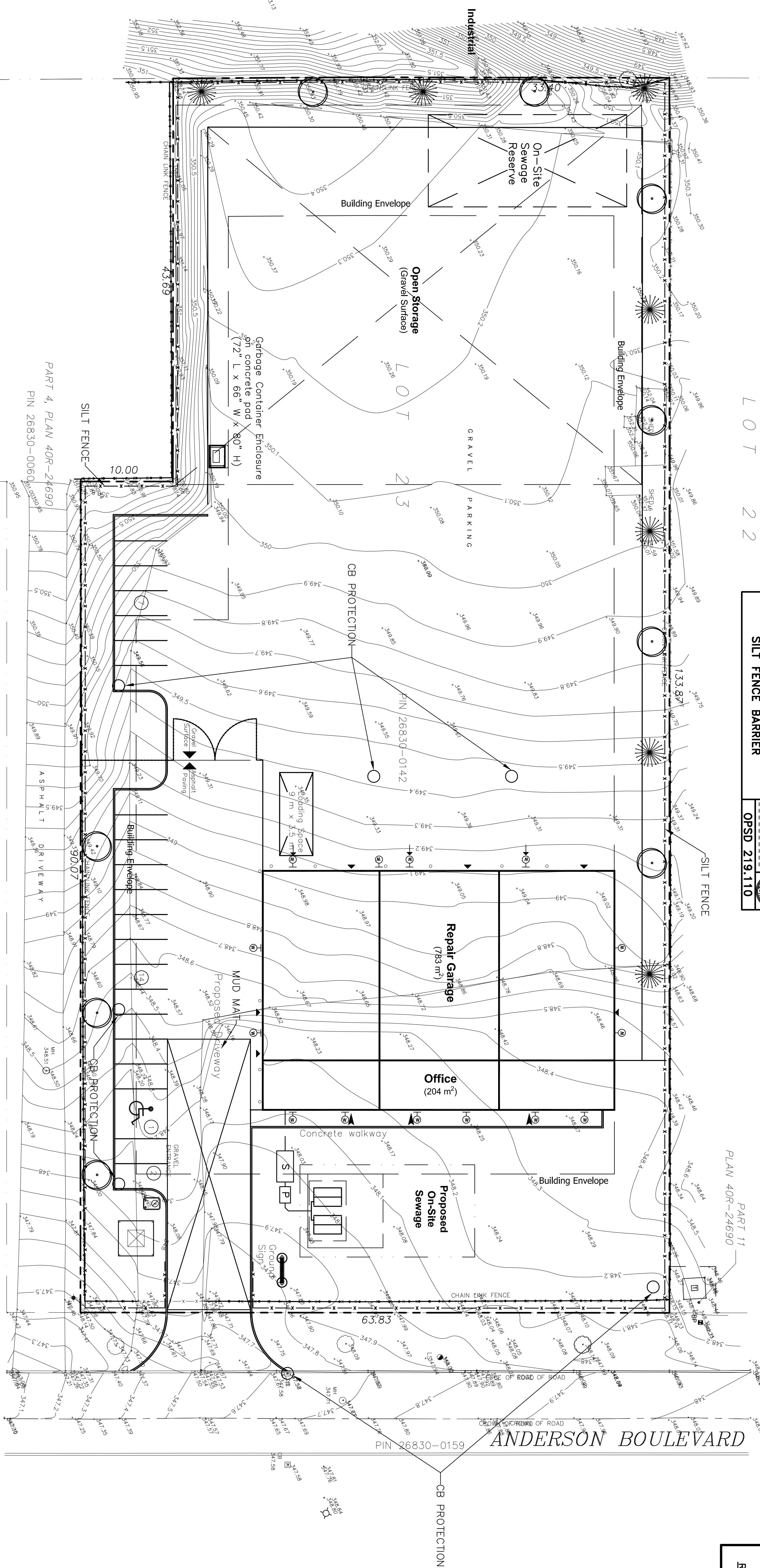


Siltation and Erosion Control Project
 Construction Entrance Mat
 2003-08-29

LOT 22



ONTARIO PROVINCIAL STANDARD DRAWING
 LIGHT-DUTY
 SILT FENCE BARRIER
 Nov 2008 Rev 1
 OPSD 219.110



LOT 24

Industrial

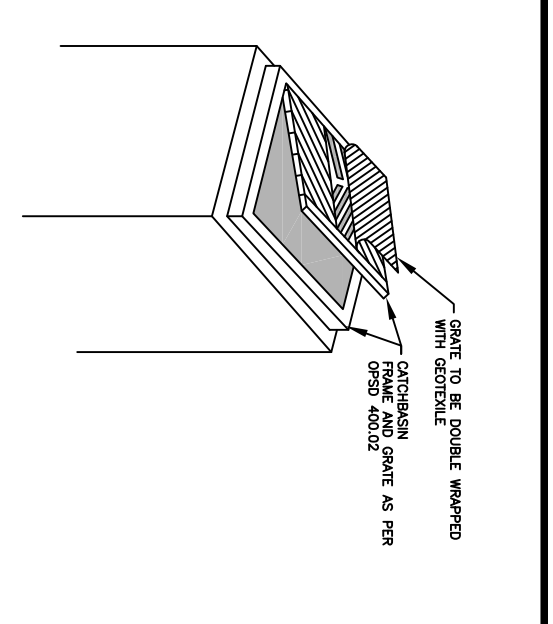
LOT 23

Industrial

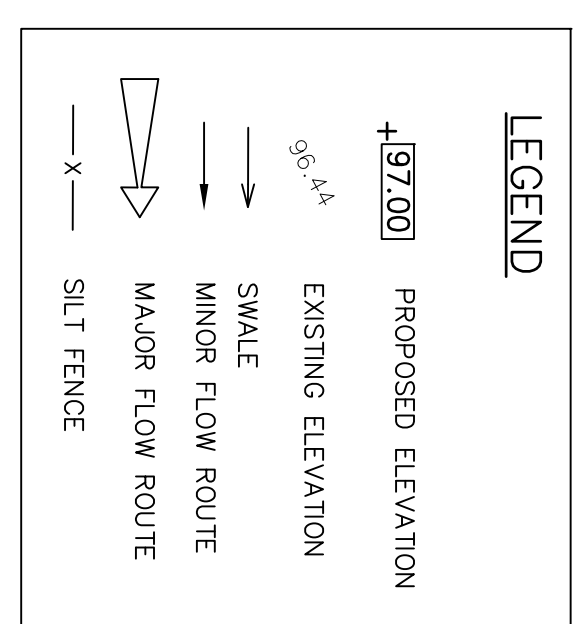
LOT 15 CONCESSION 1

EROSION AND SEDIMENT CONTROL NOTES

1. EROSION AND SEDIMENT CONTROLS MUST BE INSTALLED PRIOR TO THE COMMENCEMENT OF SITE WORKS.
2. EROSION AND SEDIMENT CONTROLS MUST BE INSPECTED ON A REGULAR BASIS AND AFTER EACH SIGNIFICANT WEATHER EVENT. ANY DEFECTIVE OR DAMAGED CONTROLS MUST BE REPAIRED OR REPLACED IMMEDIATELY TO PREVENT SEDIMENT FROM LEAVING THE SITE.
3. IT IS REQUIRED TO STABILIZE ALL AREAS THAT WILL REMAIN DISTURBED FOR MORE THAN 30 DAYS AND SEDIMENT CONTROLS TO BE REMOVED ON COMPLETION OF CONSTRUCTION.
4. EROSION AND SEDIMENT CONTROLS TO BE COVERED WITH FILTER CLOTH AS SHOWN DURING CONSTRUCTION.
5. ALL CONTROLS TO BE COVERED WITH FILTER CLOTH AS SHOWN DURING CONSTRUCTION.
6. SILT FENCE TO BE INSTALLED AROUND DRIVE SITE.



ROADWAY CATCHBASIN SEDIMENT CONTROL DEVICE
 THE 2008



NO.	DATE	DESCRIPTION	BY

PROJECT TITLE:
 67 ANDERSON BLVD. UXBRIDGE, ON L9P 0C7
 LOT 23 PLAN 40M-2336 - TOWNSHIP OF UXBRIDGE
 REGIONAL MUNICIPALITY OF DURHAM

DRAWING TITLE:
 EROSION SEDIMENT PLAN

BaseTech Consulting Inc.
 300 Bayview Avenue
 North York, Ontario
 M2H 3P4
 Phone: (416) 291-7720
 e-mail: basetechconsulting@btog.com

DESIGNED BY: WMAPF
DRAWN BY: KM
APPROVED BY: WMAPF
DATE: JUNE 2022
SCALE: 1:250
DRAWING NO.: 22-33
ESC-1